

Single Acting Low Profile Cylinders with Spring Return

700 Bar



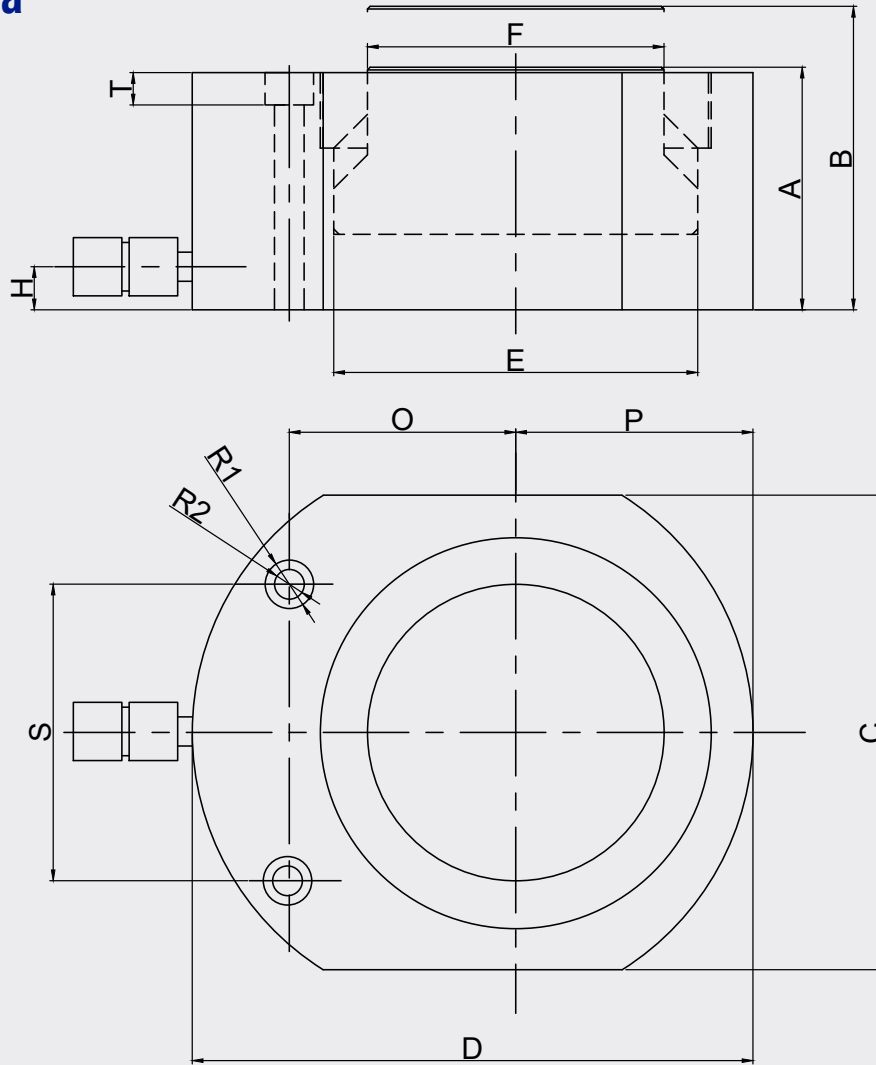
- Single acting, spring assisted return
- Nitrocarburised piston rod and black nitrated body
- Especially suitable for limited space
- LCS cylinders have two parallel faces for horizontal operation
- Available in capacities from 5 to 100 ton
- All cylinders are working pressure of 70 MPa

LCS series cylinders are made of steel and all range have spring assisted return. Designed for use in confined spaces: machinery positioning, tool fastening, maintenance, flange separating and many other applications. All models have mounting bolt holes for easy fixing and black nitrated.

Technical Data

Model	Working press. MPa	Capacity t	Stroke mm	Stroke volume cm ³	Piston Ø mm	Piston area cm ²	Weight kg
LCS 5/8	70	5	8	6,4	32	8	0,85
LCS 10/10	70	10	10	15,9	45	15,9	1,6
LCS 20/11	70	20	11	34	63	31	2,7
LCS 30/11	70	30	11	48,6	75	44	4,2
LCS 50/13	70	50	13	92	95	70,9	6,6
LCS 100/15	70	100	15	214	135	143	23,2

Technical Data



Model	A	B	C	D	E	F	H	O	P	S	T	R1	R2
	mm	mm	mm	mm	mm	mm	mm	mm	mm	mm	mm	mm	mm
LCS 5/8	41	49	40	64	32	22	16	30	23	25	6	5,5	10
LCS 10/10	45	55	60	78	45	35	16	32	30	40	6	5,5	10
LCS 20/11	50,5	61,5	86	100	63	50	16,5	41	44	40	6	5,5	10
LCS 30/11	58	69	95	117	75	60	16	52	47	50	10	8,5	14
LCS 50/13	68	81	120	145	95	80	20	65	80	70	10	8,5	14
LCS 100/15	90	105	176	208	135	110	28	84	88	110	12	11	18